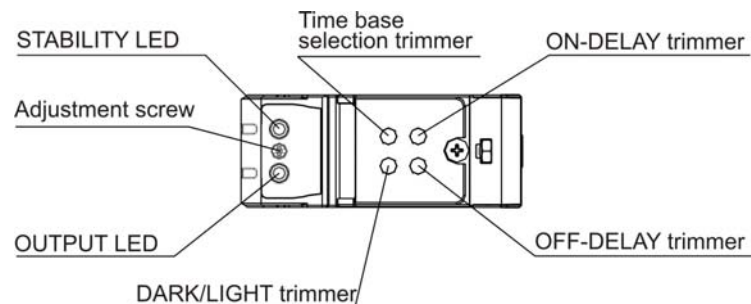




INSTRUCTION MANUAL

CONTROLS



OUTPUT LED (yellow)
The yellow LED ON indicates the output status.

STABILITY LED (green)
The green LED ON indicates that the sensor has working with a enough safety margin.

ADJUSTMENT TRIMMER (ADJ.)
The multiturn trimmer with clutch adjusts the suppression distance through the mechanical variation of the optic triangulation angle. Please refer to "SETTING" paragraph for for procedure indications.

DARK/LIGHT TRIMMER
A mono-turn trimmer to select dark/light mode.

ON-DELAY AND OFF-DELAY TRIMMER (only versions with timing functions)
Mono-turn trimmers to setting output activation and disactivation delay time. Please refer to "TIMING FUNCTIONS" paragraph for for procedure indications.

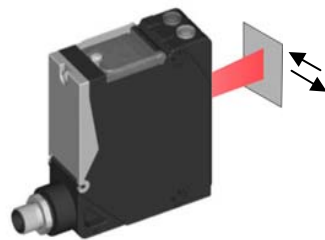
TIME BASE SELECTION AND ONE-SHOT TRIMMER (only versions with timing functions)
A mono-turn trimmer with three operation position: it allows to select two different delay time base (SHORT BASE and LONG BASE) or ONE SHOT. Please refer to "TIMING FUNCTIONS" paragraph for procedure indications.

WARNING: the maximum mechanical rotation range of the trimmer is 240°. Do not force over of the maximum and minimum positions.

INSTALLATION

The sensor can be positioned by means of the two housing holes using two screws (M5x35 or longer, 1.2Nm maximum tightening torque). The sensor bottom surface has been provided of two mechanical threaded insert M5x5,5. These metal insert are commercial components. Various orientable fixing brackets to ease the sensor positioning are available (please refer to the accessories listed in the general catalogue).

The operating distance is measured from the front surface of the sensor optics. For a correct use, the sensor must be installed orthogonal respect the direction of the object to detect like show in the figure.

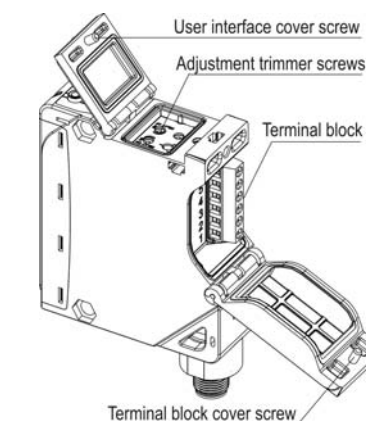


Tighten all screws surely to maintain the water-proof characteristics for IP67 (IEC/EN60529). Excessive tightening causes damage. Tighten the screws within the tightening torque range shown in the table.

TIGHTENING TORQUE (Nm)	
Terminal screws(6pc)	0.5 max
Covers screws	0.5...0.8

The cable gland assure mechanical retention compliant with EN50262.

CABLE DIAMETER	LOAD (N)
4,5..8mm	30
8..10mm	42



TECHNICAL DATA

AC MODELS	S300-PR-1-M	DC MODELS	S300-PR-2/5-M
Power supply:	24...240 VAC / 24...60 VDC	Power supply:	10...30 VDC Class 2 (UL508)
Ripple:	10 % max	Ripple:	10 % max
Current consumption (output current excluded):	< 3 VA	Current consumption (output current excluded):	< 35 mA
Outputs:	Electromechanical SPDT: 250 VAC, 30 VDC	Outputs:	PNP / NPN open collector R _{pull-up/down} = 47KΩ
Output current:	Max 3 A (resistive load)	Output current:	100 mA (resistive load)
Response time:	20 ms	Output saturation voltage:	2.4 V max
Switching frequency:	25 Hz	Diagnostic functions	PNP ALARM output / Test+ input
Weight:	150 g	Response time:	2 ms
		Switching frequency:	250 Hz
Weight:		Weight:	140 g
AtEx 2014/34/EU:	II 3G EX nA II T6 ; II 3D EX tD A22 IP67 T85°C	AtEx 2014/34/EU:	II 3G EX nA II T6 ; II 3D EX tD A22 IP67 T85°C

Common data

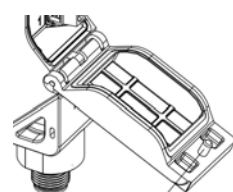
Emission type:	INFRARED LED (880nm)
Operating distance (typical value):	400..2500mm
Difference (90% white / 4% black):	< 15 % at the max distance
Hysteresis (90% white):	< 10 %
Indicators:	OUTPUT LED (YELLOW), STABILITY LED (GREEN)
Adjustment:	15 turns adjustment screw / DARK/LIGHT trimmer Versions with timing functions: time base selection and one shot trimmer / ON DELAY trimmer / OFF DELAY trimmer
Time base (Versions with timing functions):	SHORT BASE: 0..2 sec, LONG BASE: 0..10 sec
Operating temperature:	-40...55 °C
Storage temperature:	-40...70 °C
Dielectric strength:	<input type="checkbox"/> 1500 VAC, 1 min between electronics and housing
Insulating resistance:	> 20 MΩ, <input type="checkbox"/> 500 VDC between electronics and housing
Ambient light rejection:	EN 60947-5-2
Vibration:	0.5 mm amplitude, 10 ... 55 Hz frequency, for every axis (EN60068-2-6)
Shock resistance:	11 ms (30 G) 6 shock for every axis (EN60068-2-27)
Housing:	PBT 30% Glass fiber-reinforced
Lenses:	frontal window and lens in PC
Protection class:	IP67 (IEC / EN60529) / gland EN50262
UL requirements:	60-70°C copper conductor 24-20 AWG; TYPE 1 ENCLOSURE
Connections:	see the "CONNECTIONS" paragraph

CONNECTIONS

AC MODELS	DC MODELS
N.O. 6	PNP 6
COM 5	NPN 5
N.C. 4	ALARM 4
3	TEST + 3
N 2	- 2
L 1	+ 1
	10...30 VDC

M12 CONNECTOR (only DC models)

Terminal block versions (S300-PR-1/2)
Use a cable of 4,5 to 10 mm in diameter to ensure water- and dust-proof characteristics. The trasversal section of the cable must be between 16 and 26AWG. The length of conductor peel must be 6mm and the cable peel must be 100mm.



To favour the cable connection it is possible remove (and then replace) the terminal block cover when it is in the maximum opening position (like showed in the figure). Turn off the power supply before wiring. Connect correctly to prevent damage. At the end of the connections, screw the cable gland decisively to lock the cable. Close the terminal block cover with the screw.

M12 connector versions (S300-PR-5)
The connector wires are just connected like show in the previous figure. It is possible change the wiring and use other functionality (NPN output, TEST+ input).

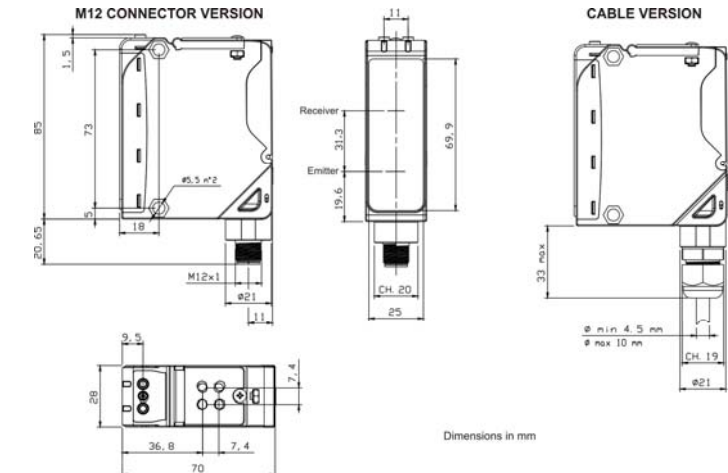
SETTING

- Suppression distance setting**
- Position object to detect in front of the sensor at the distance required. Turn distance adjustment screw (ADJ) to minimum: yellow LED OFF. Rotate trimmer in a clockwise direction until the yellow LED turns ON. *Object detection condition* (pos.A).
 - Remove object and ensure that the background is in front of the sensor: yellow LED OFF. Rotate screw in a clockwise direction until the yellow LED turns ON: *background detection condition* (pos.B).
 - Rotate screw in an anti-clockwise direction until the trimmer reaches an intermediate point between position A and C. The sensor is now ready to function correctly in stable conditions.

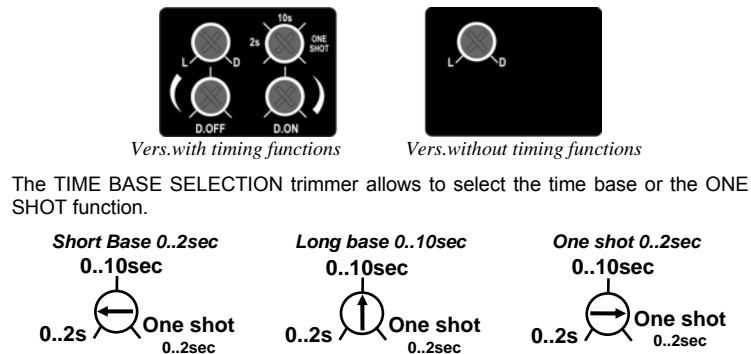
TEST+ input (only S300-PR-2/5)
The TEST+ input can be used to inhibit the emitter and verify that the system is correctly operating. The TEST function is activated if the TEST+ input is connected to a voltage between 12...30V, whereas if the TEST+ input is connected to GND or it is not connected the function is deactivated. Activating the TEST while an object is in front of the sensor (output ON in light mode), the output switches from ON to OFF, testing the total operation. Activating the TEST without an object in front of the sensor (output OFF in light mode), the outpt switches from OFF to ON, testing only the output operation.

ALARM output (only S300-PR-2/5)
The alarm output switches ON whenever the received signals remains without a safety margin (greater than 30% compared to the output switching level). The ALARM output is activated when the sensor detects an object in instability conditions (stability LED OFF, OUT LED ON) for 10 times consecutively. If the commutations number is lower, the count down is reset and restart only in instability condition. The ALARM output remain ON until there is a commutation in stability condition.

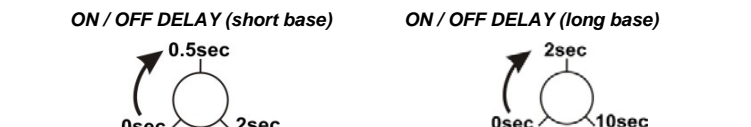
DIMENSIONS



TIMING FUNCTIONS



Selecting the short base the time setting of ON delay and OFF delay trimmer is in the range 0..2sec, selecting long base is in the range 0..10sec. To allow a better setting of little delay, the variation of ON and OFF delay are not linear with mechanical regulation of the trimmer: until half rotation the regulation is thinner, whereas from half to full scale the regulation is faster. The follow figure indicates the values of initial, middle and full scale delay of ON and OFF delay trimmer in the two different selectable time base:



The TIME BASE SELECTION trimmer has a third position to select ONE SHOT mode. The ONE SHOT duration is selectable by ON DELAY trimmer with short time base (0..2 sec). In this mode the OFF delay trimmer is disabled.

OPERATION MODE	OUTPUT
Normal (timing disable)	[Stable high/low signal]
ONE SHOT (only with short time base 0..2 sec.)	[Pulse with Ton and Toff]
ON/OFF delay	[Pulse with Ton and Toff]
ON delay	[Pulse with Ton]
OFF delay	[Pulse with Toff]

The sensors are NOT safety devices, and so MUST NOT be used in the safety control of the machines where installed.

Datalogic S.r.l.
Via S. Vitalino 13 - 40012 Calderara di Reno - Italy
Tel: +39 051 3147011 - Fax: +39 051 3147205 - www.datalogic.com

Helpful links at www.datalogic.com: **Contact Us, Terms and Conditions, Support.**
The warranty period for this product is 36 months. See General Terms and Conditions of Sales for further details.

Under current Italian and European laws, Datalogic is not obliged to take care of product disposal at the end of its life. Datalogic recommends disposing of the product in compliance with local laws or contacting authorised waste collection centres.

© 2009 - 2017 Datalogic S.p.A. and/or its affiliates • ALL RIGHTS RESERVED. • Without limiting the rights under copyright, no part of this documentation may be reproduced, stored in or introduced into a retrieval system, or transmitted in any form or by any means, or for any purpose, without the express written permission of Datalogic S.p.A. and/or its affiliates. Datalogic and the Datalogic logo are registered trademarks of Datalogic S.p.A. in many countries, including the U.S.A. and the E.U. All other trademarks and brands are property of their respective owners. Datalogic reserves the right to make modifications and improvements without prior notification.